



CAP SPECIFICATION SIZE 38mm RTO

APPLICATION : Food packaging on glass containers

HEAT TREATMENT : Pasteurization

COMPOSITION

INTERNAL COATING : Modified polyester base + vinyl organosol finish layer/s (food grade)

EXTERNAL COATING : Modified polyester base +polyester enamel+ print + transparent overprint varnish

LINER : PVC plastisol free from (phesalte , ESBO and AZD)

STRUCTURE MATERIAL

Electrolytic Tinplated steel Hardness: DR9 Tin coating : 2.8/2.8

- **PACKAGING**

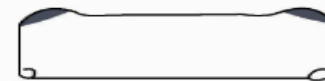
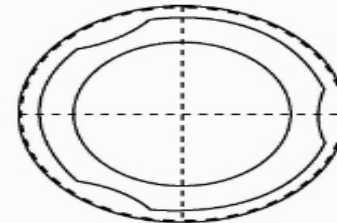
Box + Polyethylene bag

Caps/ box : 3200

CAP TYPE & SIZE: RTO 38

DRAWING No:

ALL DIMENSION IN MM





CAP SPECIFICATION SIZE 38mm RTB

APPLICATION : Food packaging on glass containers

HEAT TREATMENT : Pasteurization

COMPOSITION

INTERNAL COATING : Modified polyester base + vinyl organosol finish layer/s (food grade)

EXTERNAL COATING : Modified polyester base +polyester enamel+ print + transparent overprint varnish

LINER : PVC plastisol free from (phesalte , ESBO and AZD)

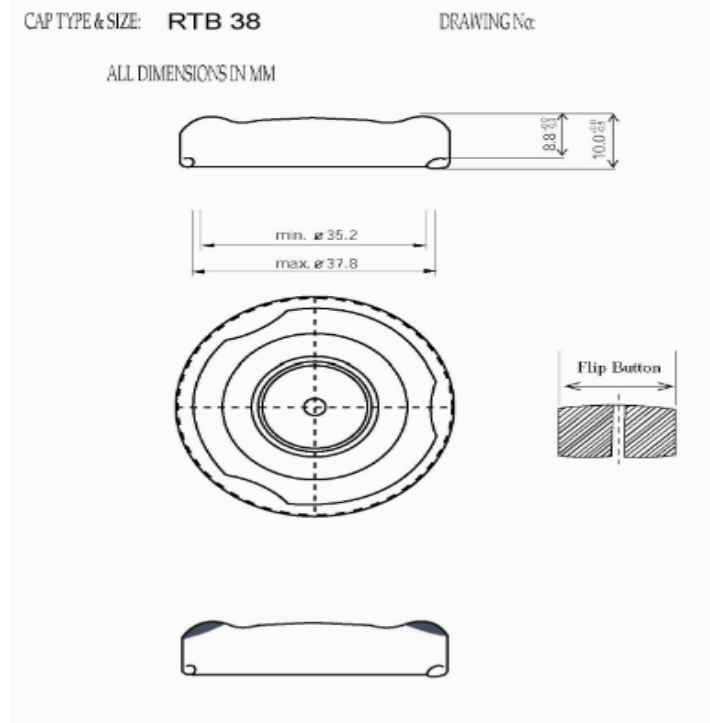
STRUCTURE MATERIAL

Electrolytic Tinplated steel Hardness: DR9 Tin coating : 2.8/2.8

• PACKAGING

Box + Polyethylene bag

Caps/ box : 3200





CAP SPECIFICATION SIZE 53mm RTS

APPLICATION : Food packaging on glass containers

HEAT TREATMENT : Pasteurization

COMPOSITION

INTERNAL COATING : Modified polyester base + vinyl organosol finish layer/s (food grade)

EXTERNAL COATING : Modified polyester base +polyester enamel+ print + transparent overprint varnish

LINER : PVC plastisol free from (phesalte , ESBO and AZD)

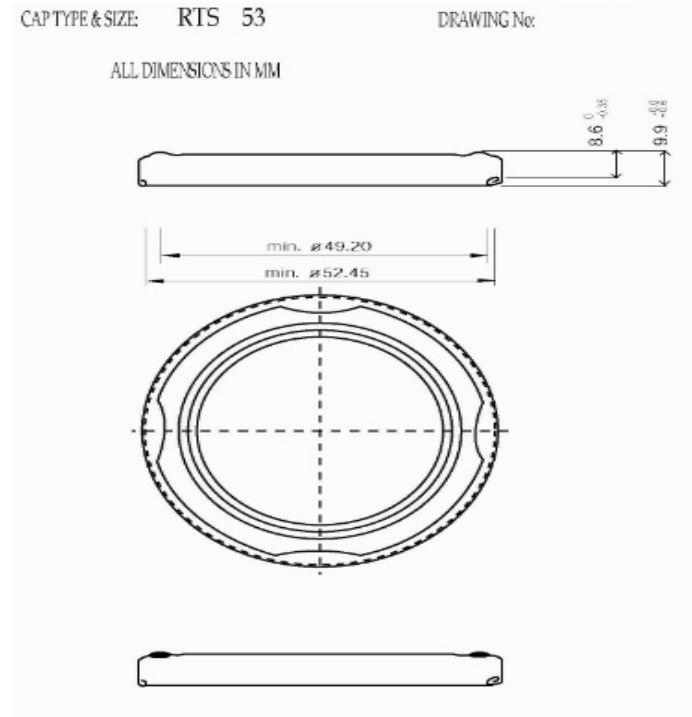
STRUCTURE MATERIAL

Electrolytic Tinplated steel Hardness: DR9 Tin coating : 2.8/2.8

- **PACKAGING**

Box + Polyethylene bag

Caps/ box : 1700





CAP SPECIFICATION SIZE 53mm RSB

APPLICATION : Food packaging on glass containers

HEAT TREATMENT : Pasteurization

COMPOSITION

INTERNAL COATING : Modified polyester base + vinyl organosol finish layer/s (food grade)

EXTERNAL COATING : Modified polyester base +polyester enamel+ print + transparent overprint varnish

LINER : PVC plastisol free from (phesalte , ESBO and AZD)

STRUCTURE MATERIAL

Electrolytic Tinplated steel Hardness: DR9 Tin coating : 2.8/2.8

• PACKAGING

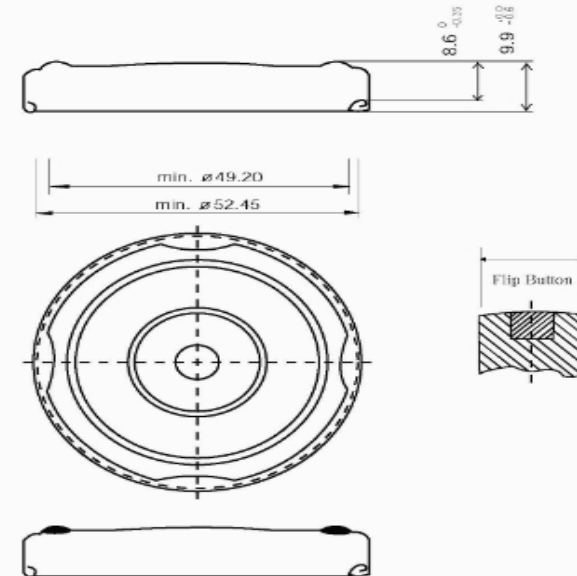
Box + Polyethylene bag

Caps/ box : 1700

CAP TYPE & SIZE: RSB 53

DRAWING No:

ALL DIMENSIONS IN MM





CAP SPECIFICATION SIZE 63mm RTS

APPLICATION : Food packaging on glass containers

HEAT TREATMENT : Pasteurization

COMPOSITION

INTERNAL COATING : Modified polyester base + vinyl organosol finish layer/s (food grade)

EXTERNAL COATING : Modified polyester base +polyester enamel+ print + transparent overprint varnish

LINER : PVC plastisol free from (phesalte , ESBO and AZD)

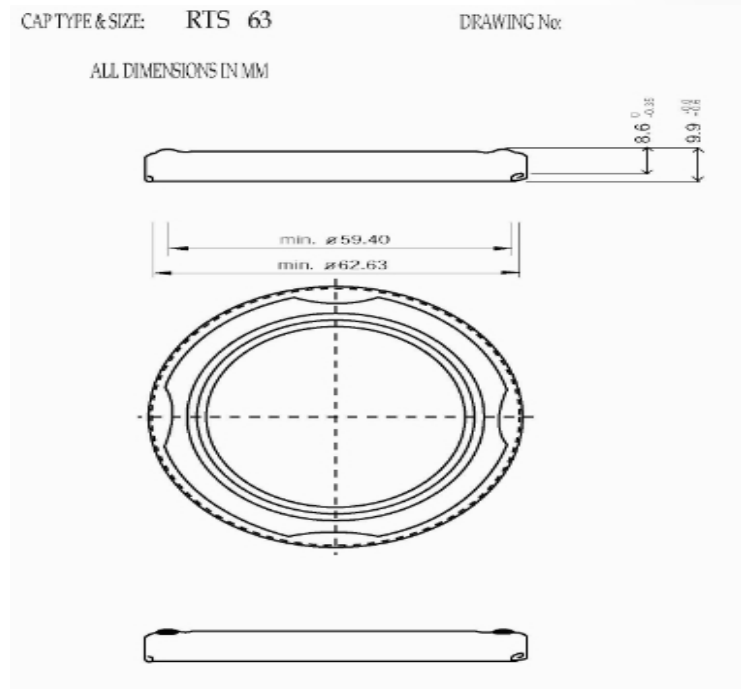
STRUCTURE MATERIAL

Electrolytic Tinplated steel Hardness: DR9 Tin coating : 2.8/2.8

• PACKAGING

Box + Polyethylene bag

Caps/ box : 1200





CAP SPECIFICATION SIZE 63mm RSB

APPLICATION : Food packaging on glass containers

HEAT TREATMENT : Pasteurization

COMPOSITION

INTERNAL COATING : Modified polyester base + vinyl organosol finish layer/s (food grade)

EXTERNAL COATING : Modified polyester base +polyester enamel+ print + transparent overprint varnish

LINER : PVC plastisol free from (phesalte , ESBO and AZD)

STRUCTURE MATERIAL

Electrolytic Tinplated steel Hardness: DR9 Tin coating : 2.8/2.8

- **PACKAGING**

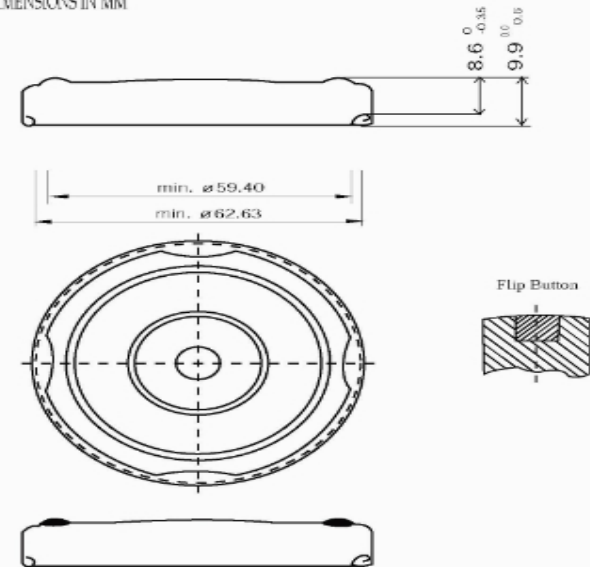
Box + Polyethylene bag

Caps/ box : 1200

CAP TYPE & SIZE: RSB 63

DRAWING No:

ALL DIMENSIONS IN MM





CAP SPECIFICATION SIZE 82mm RTS

APPLICATION : Food packaging on glass containers

HEAT TREATMENT : Pasteurization

COMPOSITION

INTERNAL COATING : Modified polyester base + vinyl organosol finish layer/s (food grade)

EXTERNAL COATING : Modified polyester base +polyester enamel+ print + transparent overprint varnish

LINER : PVC plastisol free from (phesalte , ESBO and AZD)

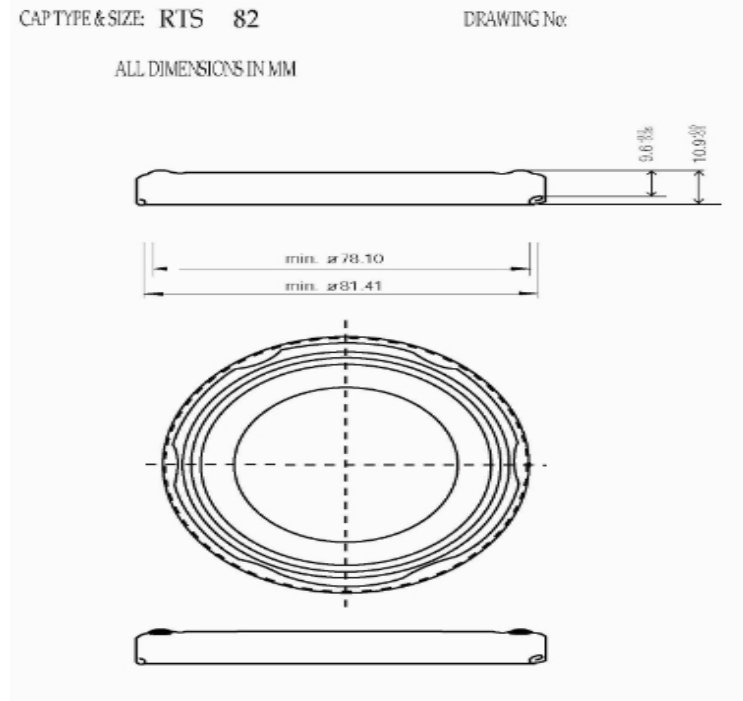
STRUCTURE MATERIAL

Electrolytic Tinplated steel Hardness: DR9 Tin coating : 2.8/2.8

• PACKAGING

Box + Polyethylene bag

Caps/ box : 700





CAP SPECIFICATION SIZE 82mm RSB

APPLICATION : Food packaging on glass containers

HEAT TREATMENT : Pasteurization

COMPOSITION

INTERNAL COATING : Modified polyester base + vinyl organosol finish layer/s (food grade)

EXTERNAL COATING : Modified polyester base +polyester enamel+ print + transparent overprint varnish

LINER : PVC plastisol free from (phesalte , ESBO and AZD)

STRUCTURE MATERIAL

Electrolytic Tinplated steel Hardness: DR9 Tin coating : 2.8/2.8

• PACKAGING

Box + Polyethylene bag

Caps/ box : 700

